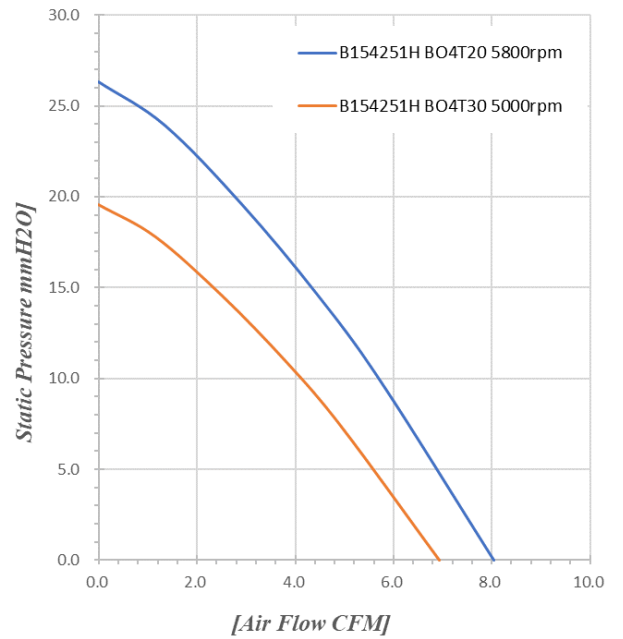
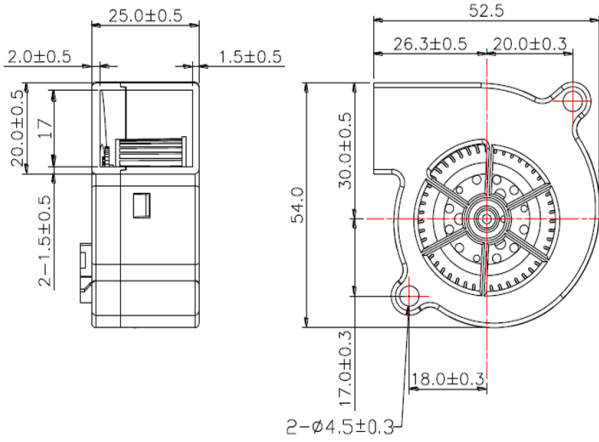


iCar Fan Blower 54*52*25 MM

High Operating Temp. AECQ Series

Reference Spec. MP: 2023/June



Product Type	Model No.		Control Type	Bearing Type	Rated Voltage	Operating Voltage Range	Operating Temp.	Speed	Input Current	Input Power	Maximum Air Flow		Maximum Air Pressure		Noise
					VDC	VDC	°C	R.P.M	Amp	Watt	CFM	m ³ /min	inH ₂ O	mmH ₂ O	dB(A)
Blower 5425 12V 95°C AECQ 系列	B154251H	BO4T20	+/-FG/PWM	BALL	12	8~16	-40~95	5800	0.225	2.70	8.04	0.23	1.08	26.34	44.0
	B154251H	BO4T30	+/-FG/PWM	BALL	12	8~16	-40~95	5000	0.144	1.73	6.93	0.20	0.80	19.58	39.3
Blower 5425 12V 105°C AECQ 系列	B154251H	BO4U20	+/-FG/PWM	BALL	12	8~16	-40~105	5800	0.225	2.70	8.04	0.23	1.08	26.34	44.0
	B154251H	BO4U30	+/-FG/PWM	BALL	12	8~16	-40~105	5000	0.144	1.73	6.93	0.20	0.80	19.58	39.3